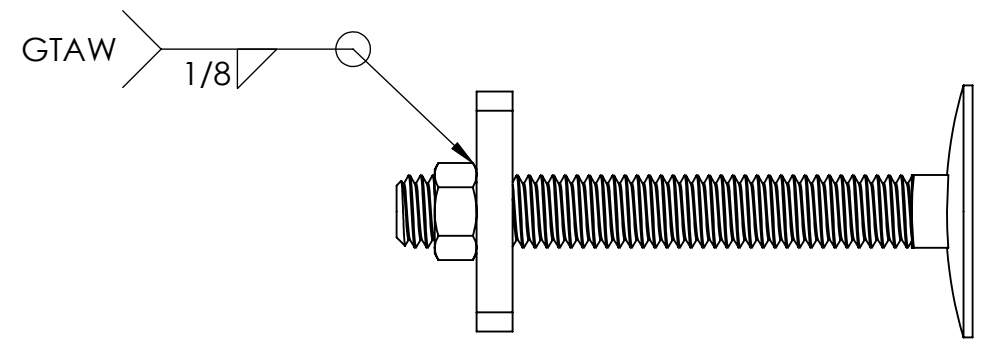
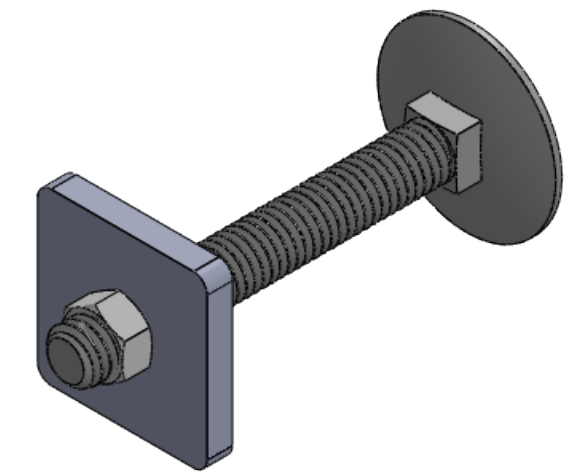
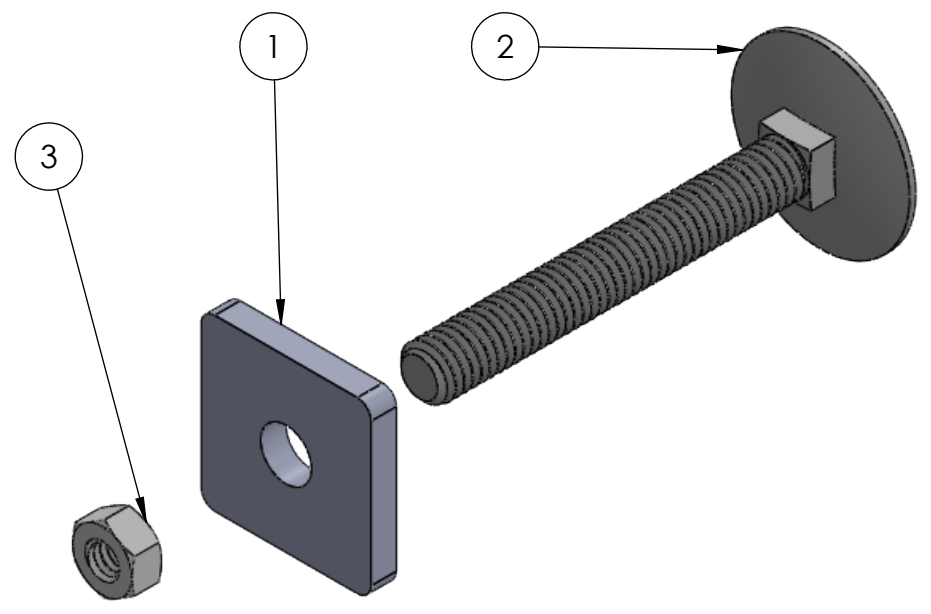


4

3

2

1



| ITEM NO. | PART NUMBER | DESCRIPTION | QTY. |
|----------|---------------|----------------------------|------|
| 1 | Foot Holder | PRE-FABRICATION | 2 |
| 2 | ELEVATOR BOLT | SQUARE-NECK 3/8" X 16 X 3" | 2 |
| 3 | 3/8" X 16 NUT | 3/8" X 16 NUT | 2 |

PROPRIETARY AND CONFIDENTIAL
 THE INFORMATION CONTAINED IN THIS DRAWING IS THE SOLE PROPERTY OF SKILLS USA UTAH FABRICATION. ANY REPRODUCTION IN PART OR AS A WHOLE WITHOUT THE WRITTEN PERMISSION OF SKILLS USA UTAH FABRICATION IS PROHIBITED.

| | | | |
|--------------------------------------|--|-----------|------------|
| UNLESS OTHERWISE SPECIFIED: | | NAME | DATE |
| DIMENSIONS ARE IN INCHES | | DRAWN | BB 1/11/19 |
| TOLERANCES: | | CHECKED | |
| FRACTIONAL ± 1/16" | | ENG APPR. | |
| ANGULAR: MACH ± 1° BEND ± 1° | | MFG APPR. | |
| TWO PLACE DECIMAL ± 0.03 | | Q.A. | |
| THREE PLACE DECIMAL ± 0.036 | | | |
| INTERPRET GEOMETRIC TOLERANCING PER: | | | |
| MATERIAL | | | |
| STEEL | | | |
| FINISH | | | |
| DO NOT SCALE DRAWING | | | |

| | | |
|---|---------------|--------------|
| SKILLS USA UTAH | | |
| TITLE: | | |
| 2019 WELDING FABRICATION PROJECT "GTAW TABLE" | | |
| SIZE | DWG. NO. | REV |
| B | Foot Assembly | 1 |
| SCALE: 1:2 | WEIGHT: | SHEET 1 OF 1 |

4

3

2

1

B

B

A

A