

4

3

2

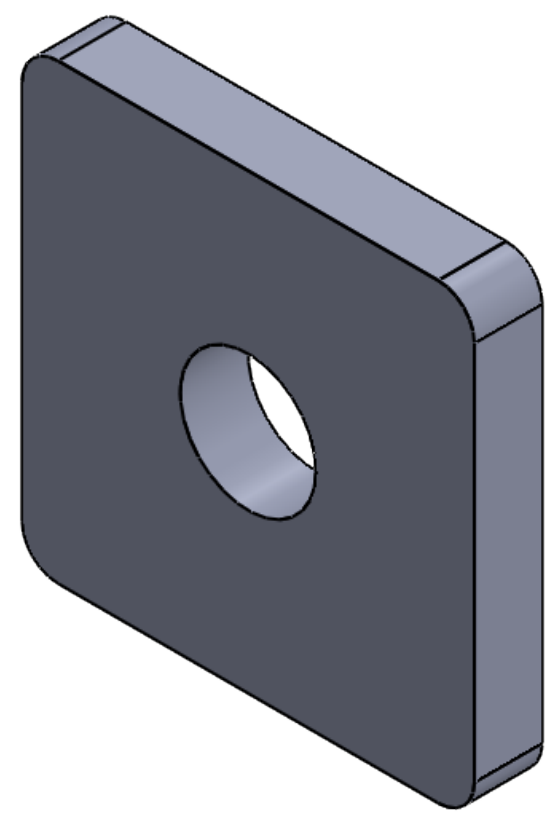
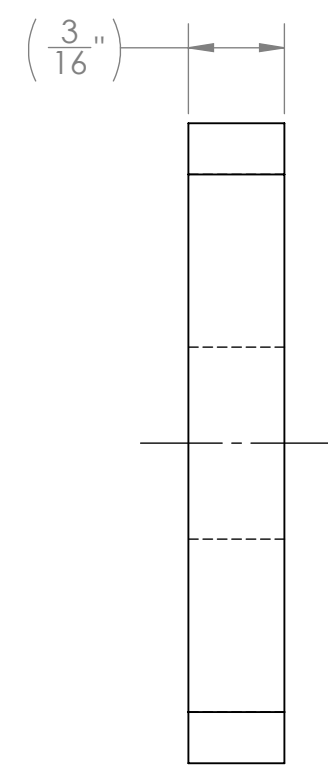
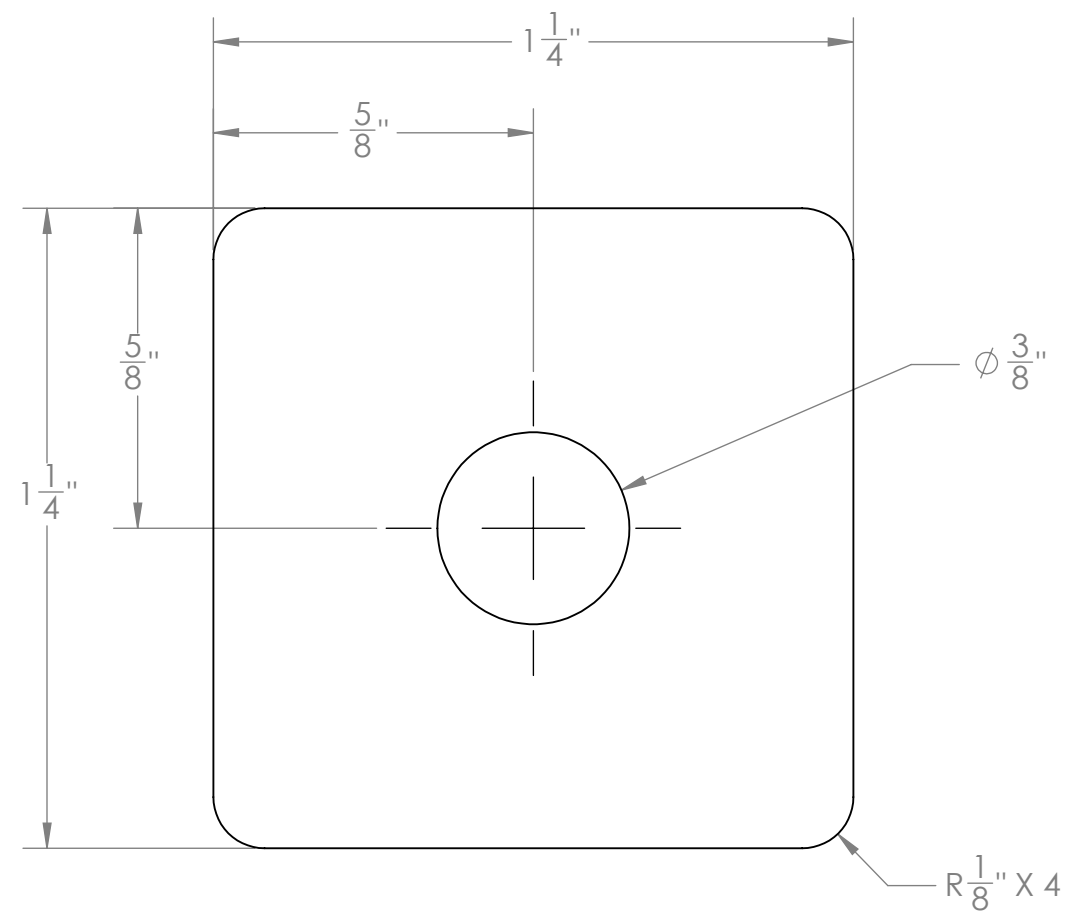
1

B

B

A

A



PROPRIETARY AND CONFIDENTIAL
 THE INFORMATION CONTAINED IN THIS DRAWING IS THE SOLE PROPERTY OF SKILLS USA UTAH FABRICATION. ANY REPRODUCTION IN PART OR AS A WHOLE WITHOUT THE WRITTEN PERMISSION OF SKILLS USA UTAH FABRICATION IS PROHIBITED.

UNLESS OTHERWISE SPECIFIED:		NAME	DATE
DIMENSIONS ARE IN INCHES		DRAWN	BB 1/9/19
TOLERANCES:		CHECKED	
FRACTIONAL ± 1/16"		ENG APPR.	
ANGULAR: MACH ± 1° BEND ± 1°		MFG APPR.	
TWO PLACE DECIMAL ± 0.03		Q.A.	
THREE PLACE DECIMAL ± 0.036			
INTERPRET GEOMETRIC TOLERANCING PER:			
MATERIAL			
FINISH			
DO NOT SCALE DRAWING			

SKILLS USA UTAH		
TITLE:		
2019 WELDING FABRICATION PROJECT "GTAW TABLE"		
SIZE	DWG. NO.	REV
B	Foot Holder	
SCALE: 4:1	WEIGHT:	SHEET 1 OF 1

4

3

2

1