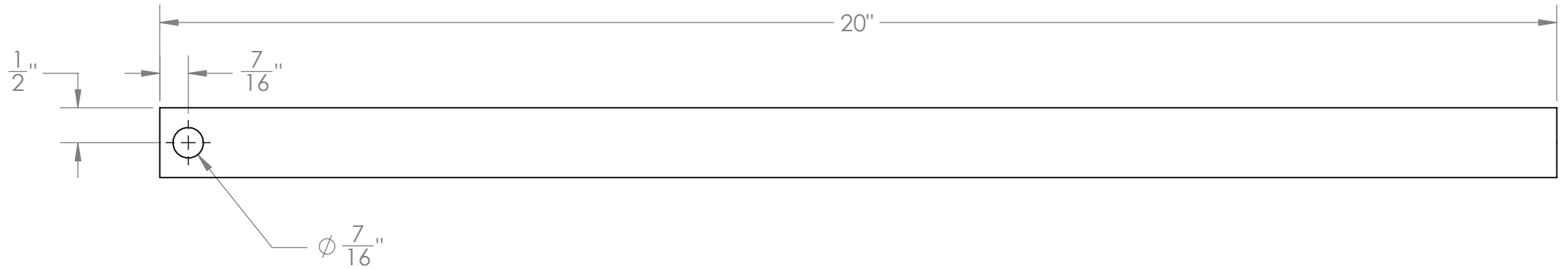
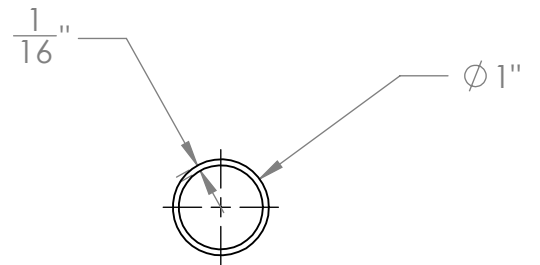
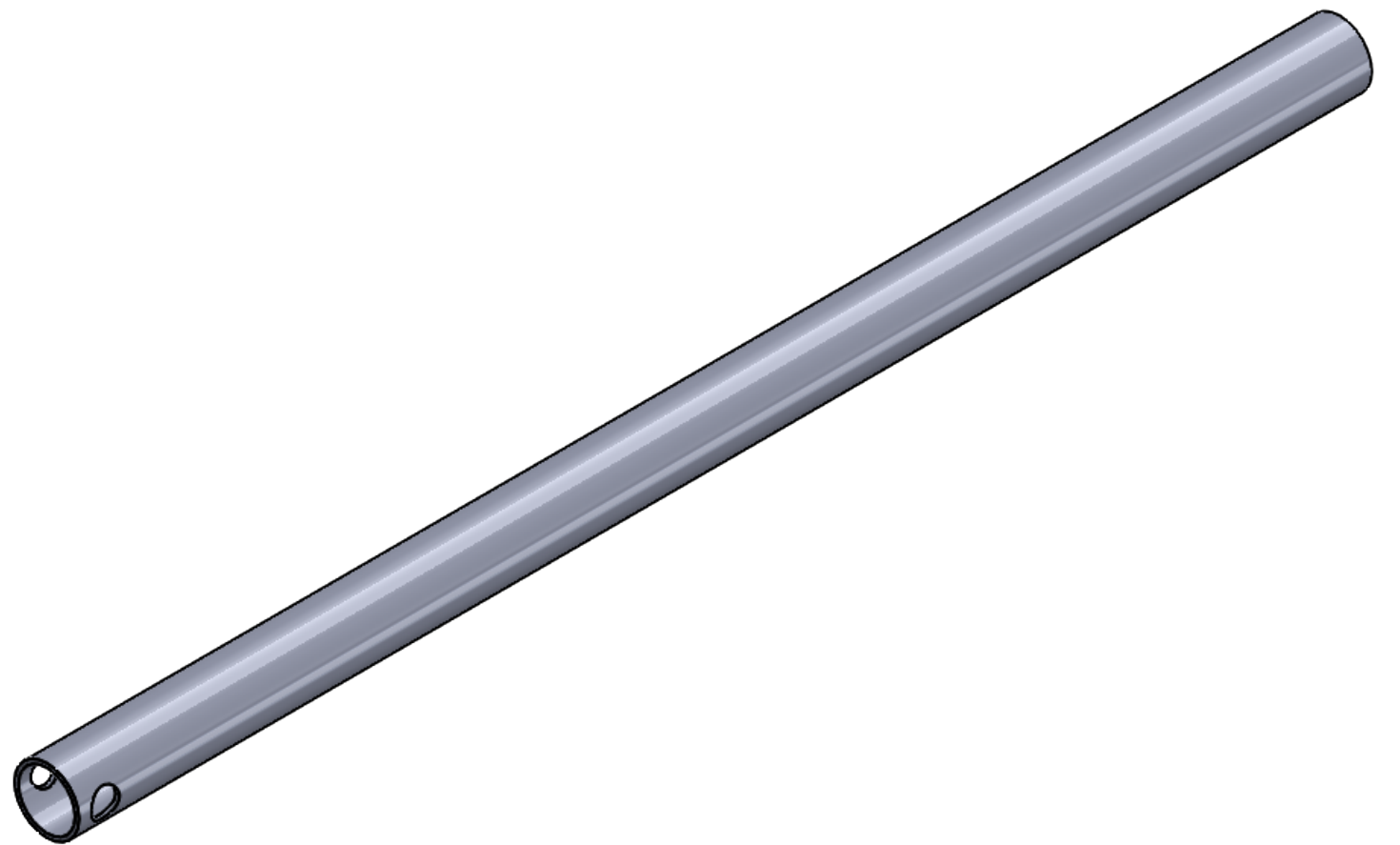


4

3

2

1



B

B

A

A

4

3

2

1

PROPRIETARY AND CONFIDENTIAL
 THE INFORMATION CONTAINED IN THIS DRAWING IS THE SOLE PROPERTY OF SKILLS USA UTAH FABRICATION. ANY REPRODUCTION IN PART OR AS A WHOLE WITHOUT THE WRITTEN PERMISSION OF SKILLS USA UTAH FABRICATION IS PROHIBITED.

UNLESS OTHERWISE SPECIFIED:	
DIMENSIONS ARE IN INCHES	
TOLERANCES:	
FRACTIONAL ± 1/16"	
ANGULAR: MACH ± 1° BEND ± 1°	
TWO PLACE DECIMAL ± 0.03	
THREE PLACE DECIMAL ± 0.036	
INTERPRET GEOMETRIC TOLERANCING PER:	
MATERIAL	STEEL
FINISH	
DO NOT SCALE DRAWING	

NAME	DATE
DRAWN BB	1/11/19
CHECKED	
ENG APPR.	
MFG APPR.	
Q.A.	



SKILLS USA UTAH		
TITLE:		
2019 WELDING FABRICATION PROJECT "GTAW TABLE"		
SIZE	DWG. NO.	REV
B	Handle	1
SCALE: 1:4	WEIGHT:	SHEET 1 OF 1