

4

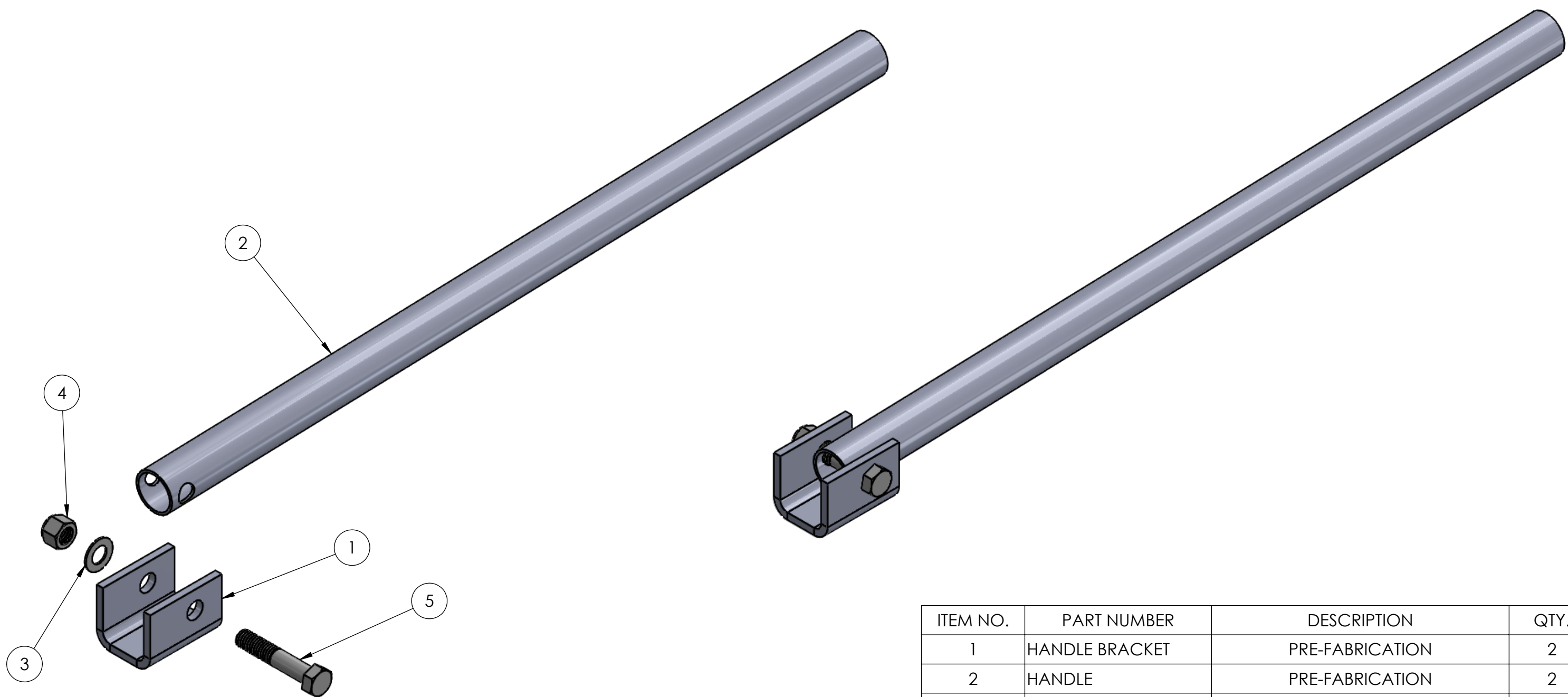
3

2

1

B

B



ITEM NO.	PART NUMBER	DESCRIPTION	QTY.
1	HANDLE BRACKET	PRE-FABRICATION	2
2	HANDLE	PRE-FABRICATION	2
3	WASHER	3/8 WASHER	2
4	3/8" X 16 NUT	3/8" X 16 LOCK WASHER	2
5	3/8" X 16 BOLT	3/8" X 16" X 2"	2

A

A

PROPRIETARY AND CONFIDENTIAL
 THE INFORMATION CONTAINED IN THIS DRAWING IS THE SOLE PROPERTY OF SKILLS USA UTAH FABRICATION. ANY REPRODUCTION IN PART OR AS A WHOLE WITHOUT THE WRITTEN PERMISSION OF SKILLS USA UTAH FABRICATION IS PROHIBITED.

UNLESS OTHERWISE SPECIFIED:		NAME	DATE
DIMENSIONS ARE IN INCHES		DRAWN	BB
TOLERANCES:		CHECKED	1/11/19
FRACTIONAL ± 1/16"		ENG APPR.	
ANGULAR: MACH ± 1° BEND ± 1°		MFG APPR.	
TWO PLACE DECIMAL ± 0.03		Q.A.	
THREE PLACE DECIMAL ± 0.036			
INTERPRET GEOMETRIC TOLERANCING PER:			
MATERIAL			
STEEL			
FINISH		SCALE: 1:4 WEIGHT: SHEET 1 OF 1	
DO NOT SCALE DRAWING			

SKILLS USA UTAH

TITLE:
2019 WELDING FABRICATION PROJECT "GTAW TABLE"

SIZE	DWG. NO.	REV
B	HANDLE ASSEMBLY	1

4

3

2

1