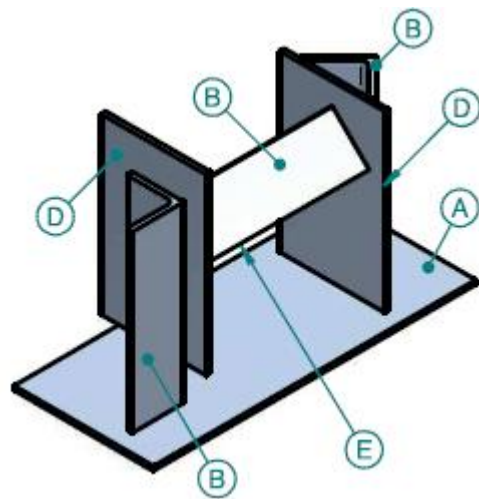


# Individual Welding Competition, Cut List & Pictures

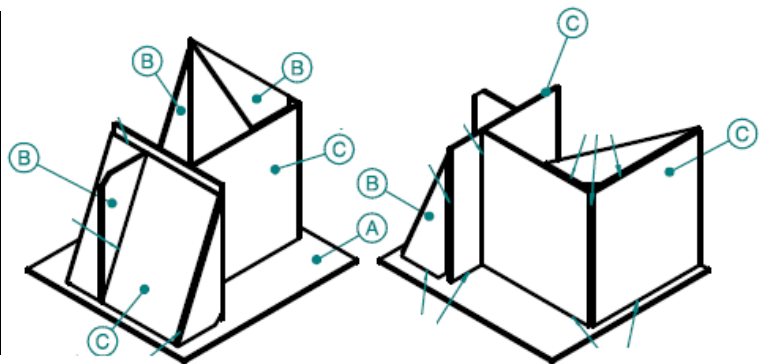
## FCAW-G (Dimensions in Inches)

ID	QTY	DESCRIPTION
A	1	0.25 X 8 X 18.5 Steel Plate
B	3	5/16 x 3 x 3 x 10 Steel Angle
D	2	0.25 x 6 x 10 Steel Plate
E	1	0.25 x 3 x 10 Steel Plate



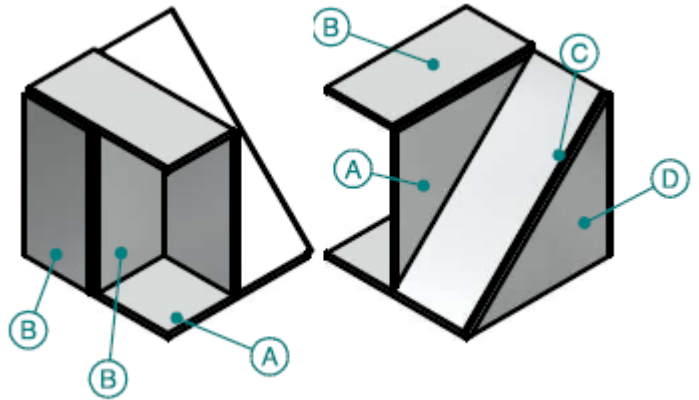
## GMAW (Dimensions in Inches)

ID	QTY	DESCRIPTION
A	1	10 ga. (0.1345) x 9.5 x 10.5
B	5	10 ga. (0.1345) x 2.75 x 6.5 Gusset
C	4	10 ga. (0.1345) x 6.5 x 7



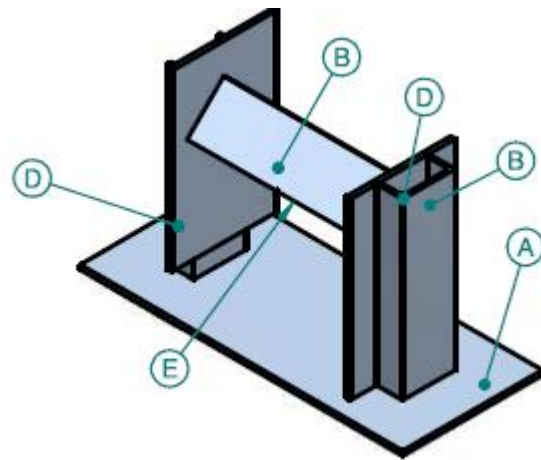
## GTAW (Dimensions in Inches)

ID	QTY	DESCRIPTION
A	2	0.125 x 4 x 4 Aluminum
B	3	0.125 x 1.875 x 4 Aluminum
C	1	0.125 x 2 x 5.657 Aluminum
D	1	0.125 x 4 x 4 Aluminum (Triangle)



## SMAW (Dimensions in Inches)

ID	QTY	DESCRIPTION
A	1	0.25 X 8 X 18.5 Steel Plate
D	2	0.25 x 6 x 10 Steel Plate
C	2	3 x 5.0# x 10 Steel Channel
B	1	5/16 x 3 x 3 x 10 Steel Angle
E	1	0.25 x 3 x 10 Steel Plate



## OXY-FUEL (Dimensions in Inches)

ID	Qty	Title
A	1	0.5 x 12 x 12 Steel Plate

